



LAUNDRY **SOLUTIONS**
YOU CAN **DEPEND** ON.

MAYTAG® COMMERCIAL ENERGY ADVANTAGE™ SOFT-MOUNT FRONT-LOAD WASHER

MFS35PD

FASTER CUSTOMER TURNAROUND. LOWER ENERGY BILLS.

By extracting water at high speeds, laundry goes into the dryer—drier. This saves customers time and it cuts your energy costs, too. Better yet, installation is easy. The soft-mount suspension system eliminates the need for machine bolt-down, so no special floor depth is required.

MAYTAG® TURBOWASH™ SYSTEM

Specially designed spray baffles and tumble patterns provide more cleaning power while using less water, cutting costs and maximizing your profits.

FOR YOUR CUSTOMERS:

- Big-Load Design With Oversized Door Opening
- Easy-To-Use One-Touch Cycle Selection
- Display Shows Time Remaining
- Enhanced Super Cycle Options Increase Revenue

FOR YOUR OPERATION:

- Inverter Drive Technology For Better Efficiency And Longer Life
- Microprocessor Coin-Drop Helps Prevent Slugging
- Accu Trac® Audit System With Two-Way Data Communication
- Debit Card Compatibility
- Self-Diagnostic Feature Cuts Service Costs And Minimizes Downtime
- Easy Service Access
- Programmable LCD Digital Display In English, Spanish Or French

BUILT-TO-LAST™ FEATURES:

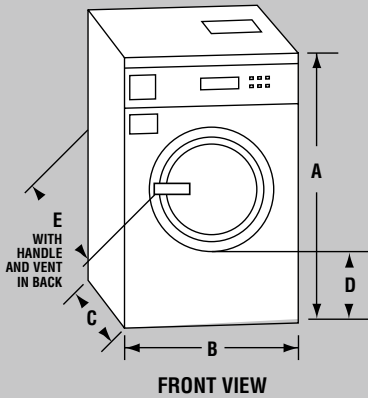
- Extra-Large 3" Drain Valve
- Commercial-Duty Door Handle, Belts And Frame
- Reliable Die-Cast Door Lock Assembly
- Durable Sealed Bearings
- Stainless Steel Top, Front And Sides
- The Best Warranty In The Business



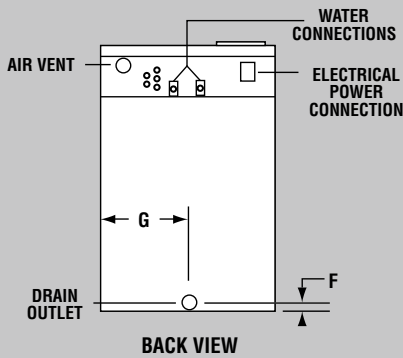
**HIGH SPIN SPEED
REDUCES DRY TIMES AND
OVERALL CYCLE TIME.**

Maytag® Energy Advantage™ Soft-Mount Washer Extractor

MICROPROCESSOR COIN-DROP



FRONT VIEW



BACK VIEW



**THE BEST WARRANTY
IN THE BUSINESS —
5 YEARS ON ALL PARTS.**

For a period from the date of original purchase through the time listed above, the designated parts that fail in normal commercial use will be repaired or replaced free of charge for the part itself, with the owner paying all other costs, including labor, transportation and customs duty. Chemical damage is excluded from all warranty coverage. See complete warranty for details.



	Energy Advantage™ Soft-Mount Washer Extractor
WASHER SPECIFICATIONS	
MODEL	MFS35PD
MOTOR	
Inverter drive	•
Variable speed	•
HP (kw)	3 (2.2)
Voltage	208 – 240V Single-Phase/Three-Phase
BREAKER SIZE — amps	20
SPEED	
Wash speed — rpm	45
Extract speed — maximum rpm	980
Extract speed — maximum g-force	350
LIQUID SOAP SIGNALS	8
WATER INLET/HOSE	
Water inlet — in. (mm)	.75 (19)
Operating pressure — psi (mpa)	14.5 – 116 (0.1 – 0.8)
Drain size — in. (mm)	3.0 (76) O.D.
CAPACITY	
Lbs. (kg)	35 (16)
Cylinder volume — cu. ft. (liters)	5.9 (166)
Cylinder diameter — in. (mm)	25.6 (650)
Cylinder depth — in. (mm)	19.68 (500)
COLOR	
Stainless Steel	•
APPROXIMATE WEIGHT	
Crated — lbs. (kg)	1092 (495)
Uncrated — lbs. (kg)	1026 (465)
DIMENSIONS	
A) Height — in. (mm)	50.98 (1295)
B) Width — in. (mm)	32.87 (835)
C) Depth — in. (mm)	37.80 (960)
D) Floor to bottom of door — in. (mm)	16.92 (430)
E) Depth including handle and vent on back — in. (mm)	40.94 (1040)
F) Floor to drain outlet center — in. (mm)	2.16 (55)
G) Side to drain outlet center — in. (mm)	16.33 (415)
Door opening — in. (mm)	16.14 (410)
See specific instructions for proper installation. Because of continuous product improvement, Maytag reserves the right to change specifications without notice.	

NEW YORK CITY
M.E.A.

