

# MFS55PNA

MAYTAG® COMMERCIAL  
ENERGY ADVANTAGE™  
SOFT-MOUNT, HIGH-SPEED EXTRACTOR



## LEGENDARY MAYTAG DEPENDABILITY

Maximizing your equipment investment for over a half century.



## MICROPROCESSOR CONTROLS

Maytag® microprocessor controls offer 15 preprogrammed cycles, plus the capability to create multiple unique cycles. Also, one-touch cycle selection and multilingual readouts make these controls easy for everyone to operate.

## CHEMICAL INJECTION SYSTEM

Designed to make chemical installation faster, simpler and more precise, the Maytag® Commercial Laundry Chemical Injection System features easy-access connections on the outside of the machine. This eliminates the need for having to open up the washer on routine visits. The system also provides chemical supply companies and the machine's users with clear visibility on how detergent, bleach, softener and other chemicals are being dispensed.

## BIG-LOAD PERFORMANCE, FLEXIBLE INSTALLATION

Maytag® soft-mount, high-speed extractors feature a suspension system that allows for more flexibility and does not require special foundations for installations.

## FOR YOUR OPERATION:

- Slimline Model Fits Through A 36" Door Opening
- Inverter Drive Technology For Longer Life
- Up to 350 G's In Final Spin, Reducing Dry Time
- Easy-To-Operate Microprocessor Controls
- Adjustable Water Temperatures And Levels
- Manual 3-Bay Detergent And Softener Dispenser
- 8 Chemical Supply Signals
- Extra-Large Door And Handle

## BUILT-TO-LAST™ FEATURES:

- Heavy-Duty Latch And Door Handle
- Durable Sealed Bearings
- Rugged Frame And Cabinet
- Easy Service Access



LAUNDRY SOLUTIONS  
YOU CAN *DEPEND ON.*

EASY TO USE EXTERNAL HOOKUPS  
FOR CHEMICAL INJECTION

SPINS UP TO 350 G'S TO EXTRACT MORE WATER

visit [maytagcommerciallaundry.com](http://maytagcommerciallaundry.com)



## OUR COMMITMENT TO DEPENDABLE QUALITY

At Maytag, we believe durable goods should remain just that. That's why every Maytag® product is constructed of the highest-quality materials and with the utmost in precision craftsmanship. It's also why we stand behind our equipment with solid service and support from our professional Maytag laundry suppliers. Simply put, when you choose Maytag® products, you ensure your peace of mind.



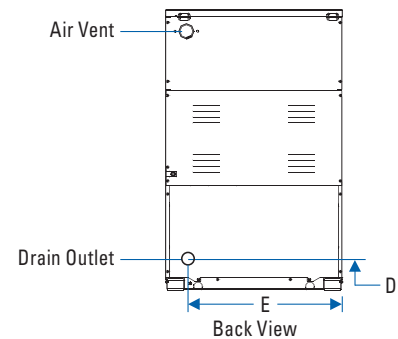
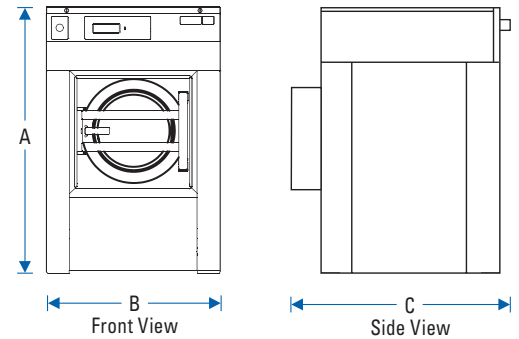
## MFS55PNA

**MAYTAG® COMMERCIAL ENERGY ADVANTAGE™ SOFT-MOUNT, HIGH-SPEED EXTRACTOR**

## Maytag® Energy Advantage™ Soft-Mount, High-Speed Extractor

### MICROPROCESSOR CONTROL

WASHER SPECIFICATIONS	
<b>MODEL</b>	<b>MFS55PNA</b>
<b>MOTOR</b>	
Inverter drive	•
Variable speed	•
HP (kw)	4 (3)
Voltage	208 – 240V Three-Phase
<b>BREAKER SIZE</b> — amps	20
<b>SPEED</b>	
Wash speed — rpm	42
Extract speed — maximum rpm	915
Extract speed — maximum g-force	350
<b>WATER INLET/HOSE</b>	
Water inlet — in. (mm)	.75 (19)
Operating pressure — psi (mpa)	43 – 73 (0.3 – 0.5)
Drain size — in. (mm)	3.0 (76) O.D.
<b>CAPACITY</b>	
Lbs. (kg)	55 (22)
Cylinder volume — cu. ft. (liters)	7.8 (221)
Cylinder diameter — in. (mm)	29.5 (750)
Cylinder depth — in. (mm)	19.6 (498)
<b>CABINET</b>	
Stainless Steel	•
<b>APPROXIMATE WEIGHT</b>	
Crated — lbs. (kg)	1522 (690)
Uncrated — lbs. (kg)	1433 (650)
<b>DIMENSIONS</b>	
A) Height — in. (mm)	56.5 (1435)
B) Width — in. (mm)	35.4 (900)
C) Depth — in. (mm)	43.9 (1115)
D) Floor to drain outlet center — in. (mm)	5.51 (140)
E) Side to drain outlet center — in. (mm)	28.34 (720)
See specific instructions for proper installation. Because of continuous product improvement, Maytag reserves the right to change specifications without notice.	



NEW YORK CITY  
M.E.A.



### **MAYTAG® LIMITED WARRANTY** **3 YEARS — ALL PARTS, 5 YEARS — SHELL, WELDED FRAME** **ASSEMBLY, BASKET, SHAFT ASSEMBLY, BEARINGS AND SEALS**

For a period from the date of original purchase through the time listed above, the designated parts that fail in normal commercial use will be repaired or replaced free of charge for the part itself, with the owner paying all other costs, including labor, transportation and customs duty. Chemical damage is excluded from all warranty coverage. See complete warranty for details.