

MLE/MLG24PR

MAYTAG® COMMERCIAL SINGLE LOAD SUPER-CAPACITY STACK DRYER



LEGENDARY MAYTAG DEPENDABILITY

Maximizing your equipment investment for over a half century.



*Shown with
optional solid
door kit.*



Built with optional non-metered design.

TWO POCKETS IN THE SPACE OF ONE

You can potentially double your dryer income and help eliminate waiting with two dryer pockets in the same floor space as one single-load dryer.

FOR YOUR CUSTOMERS:

- Extra-Large 7.4 cu. ft. Capacity
- Easy To Use One-Touch Cycle Selection
- High Air Flow For Better Clothes Care
- Time Remaining Display
- Optional Top Off
- Large Window For Convenience
- No Need to Carry Quarters

FOR YOUR OPERATION:

- TurboVent™ Technology—Better Performance On Long Vents
- Advanced Computer Trac® Controls Allow For Easy Programming
- Front Access For Easier Self Service
- Accu Trac® Audit System With Two-Way Data Communication
- Large-Capacity Metal Mesh Lint Filter
- Debit Card Compatibility

BUILT-TO-LAST™ FEATURES:

- Four Roller Suspension With Permanently Lubricated Bearings
- Blower Guard Reduces Service Calls
- Best Warranty in the Business

FASTER DRYING WITH **TURBOVENT™** TECHNOLOGY

visit maytagcommerciallaundry.com



OUR COMMITMENT TO DEPENDABLE QUALITY

At Maytag, we believe durable goods should remain just that. That's why every Maytag® product is constructed of the highest-quality materials and with the utmost in precision craftsmanship. It's also why we stand behind our equipment with solid service and support from our professional Maytag laundry suppliers. Simply put, when you choose Maytag® products, you ensure your peace of mind.

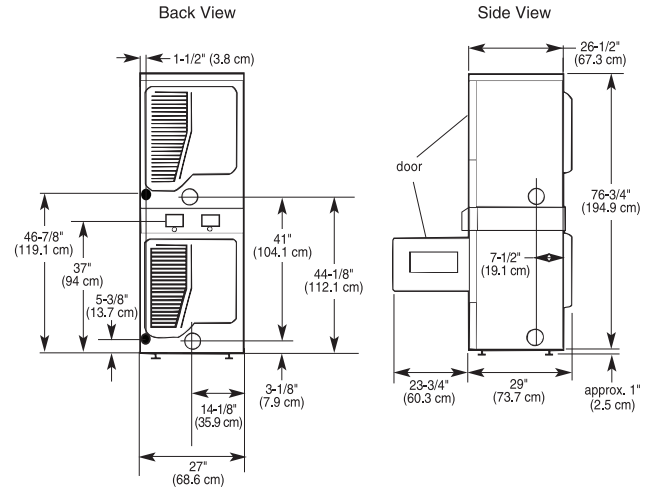


MLE/MLG24PR MAYTAG® COMMERCIAL SINGLE LOAD SUPER-CAPACITY STACK DRYER

Maytag® Super-Capacity Dryer MICROPROCESSOR CARD READER-READY

| DRYER SPECIFICATIONS | |
|--|---------------------|
| MODEL | MLE/MLG24PR |
| MOTOR | |
| Single-phase, thermoprotected against overload, auto-reset | • |
| HP (kw) | 1/2 (.25) |
| CAPACITY | |
| Cu. ft. (liters) | 7.4 (209.5) |
| AIRFLOW — cfm (cmm) | |
| Gas/Electric models — per pocket | 230 (6.5)/215 (6.1) |
| Export, Gas/Electric models — per pocket | 230 (6.5)/215 (6.1) |
| TUMBLE SPEED | |
| RPM | 50 ± 1.5 |
| ELECTRICAL REQUIREMENTS | |
| MDE model — voltage | 240V/60Hz* |
| MDG model — voltage | 120V/60Hz |
| Export models — voltage | 220-240V/50 Hz |
| BREAKER/FUSE REQUIREMENTS — amps | |
| Electric model — domestic (each drying chamber) | 30 |
| Electric model — export (one terminal block per stack) | 40 |
| Electric model — Canada (one terminal block per stack) | 60 |
| Gas models, all versions — (one power cord per stack) | 15 |
| HEATER ELEMENT RATING — watts | |
| Domestic model — per pocket | 5,600 |
| Export models — per pocket | 4,600 |
| EXHAUST DUCT DIAMETER | |
| In. (mm) | 4 (101.6) |
| ELECTRONIC BURNER IGNITION | |
| MDG model | • |
| GAS RATING | |
| MDG models, all versions — BTU/hr. (kcal/hr.) | 24,000 (6,048) |
| GAS INLET | |
| MDG model — in. | 3/8 N.P.T. |
| AUTOMATIC PRESSURE REGULATOR | |
| MDG models | • |
| ADJUSTABLE LEVELING LEGS | • |
| APPROXIMATE WEIGHT | |
| Crated — lbs. (kg) | 275 (124.7) |
| Uncrated — lbs. (kg) | 250 (113.4) |
| DIMENSIONS | |
| Width — in. (mm) | 27 (685.8) |
| Depth — in. (mm) | 29 (736.6) |
| Height — in. (mm) | 76.75 (1949) |

See specific instructions for proper installation. Because of continuous product improvement, Maytag reserves the right to change specifications without notice.
* 208-Volt electrical element kit available



MAXIMUM EXHAUST DUCT LENGTH PER NUMBER OF TURNS

Number Of 90° Turns



Rigid Metal Vent

| | Box Hood and Louvered Style | Angled Hood Style |
|---|-----------------------------|-------------------|
| 0 | 135 ft. (41.2 m) | 129 ft. (39.3 m) |
| 1 | 125 ft. (38.1 m) | 119 ft. (36.3 m) |
| 2 | 115 ft. (35.1 m) | 109 ft. (33.2 m) |
| 3 | 106 ft. (32.3 m) | 100 ft. (30.5 m) |
| 4 | 98 ft. (29.9 m) | 92 ft. (28.0 m) |

Flexible Metal Vent

| | Box Hood and Louvered Style | Angled Hood Style |
|---|-----------------------------|-------------------|
| 0 | 76 ft. (23.2 m) | 62 ft. (18.9 m) |
| 1 | 71 ft. (21.6 m) | 57 ft. (17.4 m) |
| 2 | 67 ft. (20.4 m) | 53 ft. (16.2 m) |
| 3 | 65 ft. (19.8 m) | 51 ft. (15.6 m) |
| 4 | 63 ft. (19.2 m) | 49 ft. (14.9 m) |



5 YEARS ON ALL PARTS

For a period from the date of original purchase through the time listed above, the designated parts that fail in normal commercial use will be repaired or replaced free of charge for the part itself, with the owner paying all other costs, including labor, transportation and customs duty. Chemical damage is excluded from all warranty coverage. See complete warranty for details.